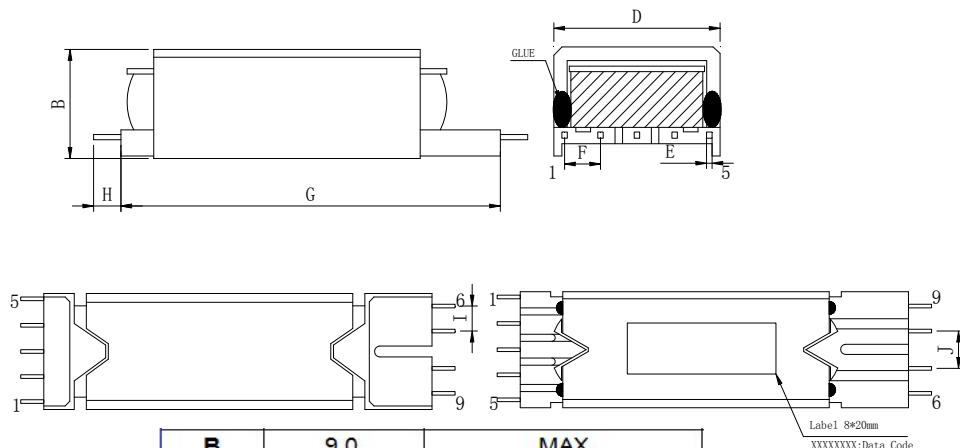


CUSTOMER TERMINAL	ROHS	Lead(Pb)-free
	YES	YES



1.Mechanical Dimensions

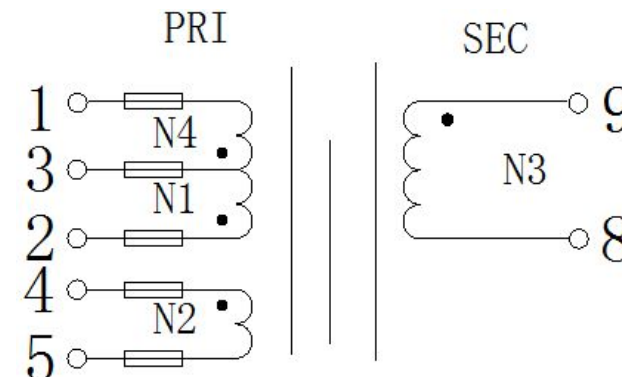


B	9.0	MAX
D	14.5	MAX
E	0.4*0.6	±0.1
F	2.7	±0.2
G	50.0	±0.4
H	3.0	±0.5
I	3.4	±0.2
J	4.0	±0.2

3.Material List

Core:DMR44 EEW13.5A
 Bobbin:PD1306(4+5PIN)
 Wire:2UEW TIW
 Operating Temperature: -30 to115 °C

2.Schematic Diagram



4.Electrical Specification

Inductance: L(1-2):700uH ±5% 60KHZ 、 1V
 Leakage Inductance : 40uH MAX 60KHZ 、 1V
 DCR:(1-2)=2.1Ω Max (9-8)=0.65Ω Max
 Hi-Pot:P-S: AC 60Hz 4000V 1.0mA 3S

REV.	DATE	 Convention Placement	DRW.	Drawing Title: TRANSFORMER	Part No:
0	00/00		CHK.		FWPTEEW13.5SMD701J
			APP.		Customer P/N
ROHS		www.ferriwo.com			